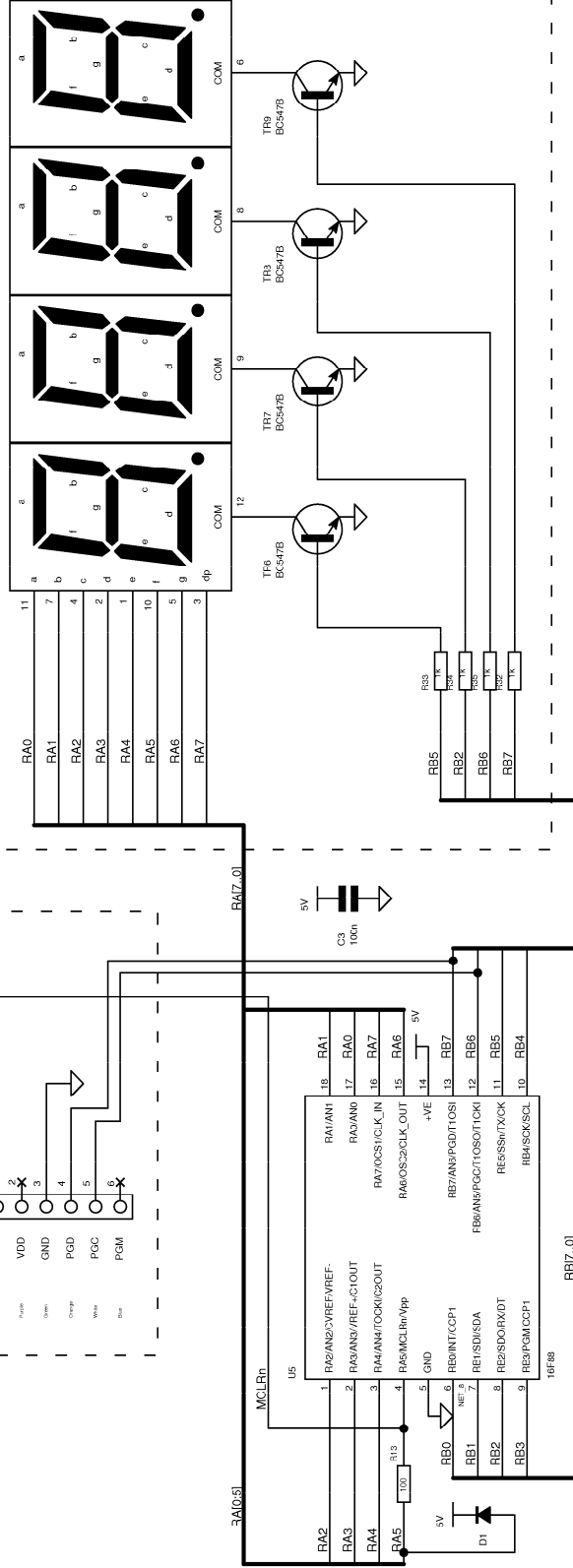


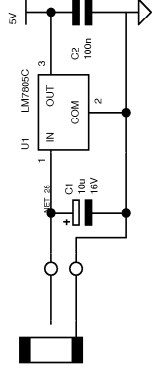
Ultrasonic range finder

Multiplexed 7seg display

Kingbright Common Cathode



CN1



Version 1.01

SEG 1 and SEG 2 swapped. So can use 3 digits and TX line

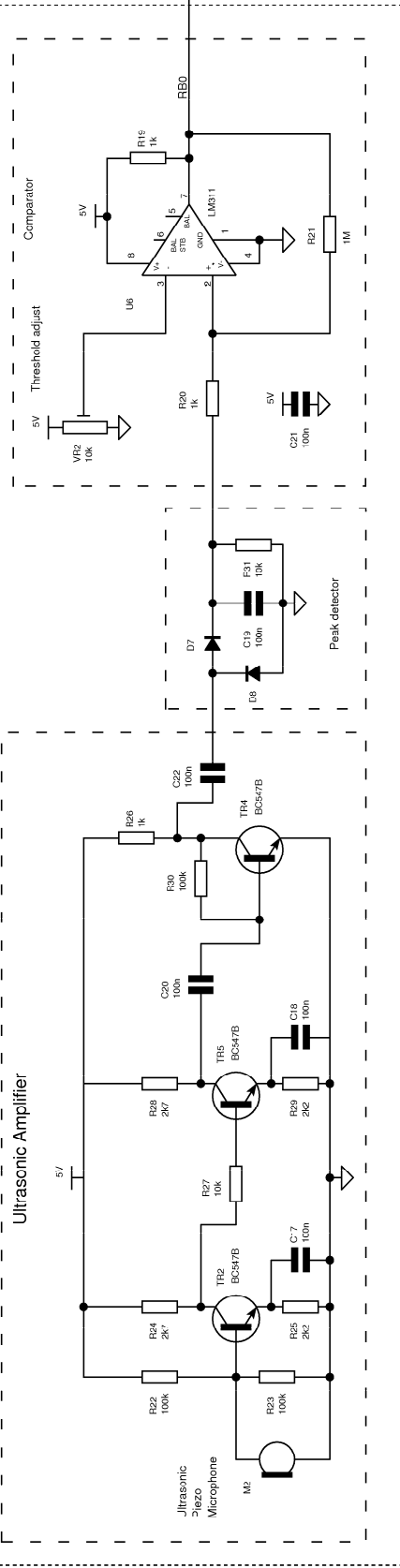
SEG 1 was on RE2 now on RB5

SEG 2 was on RE5 now on RB2

Version 1.02

Added 5V power 7805 and decoupling.

Ultrasonic Rx



Ultrasonic Tx

